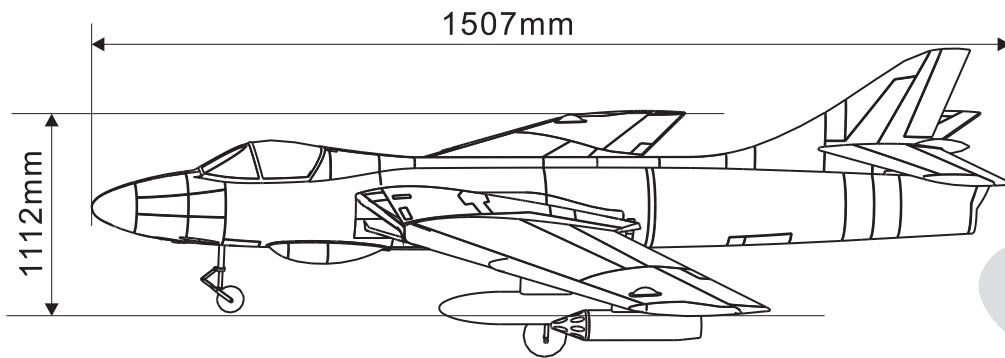


Hawker Hunter

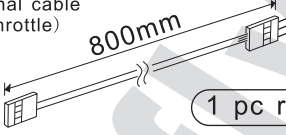

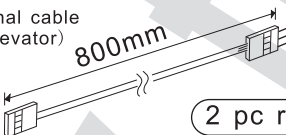
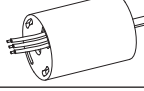
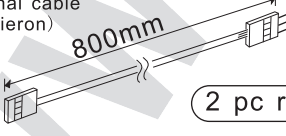
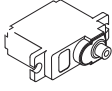
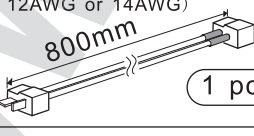
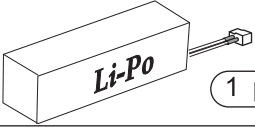


UNDER SAFETY PRECAUTIONS


This radio control is not a toy!

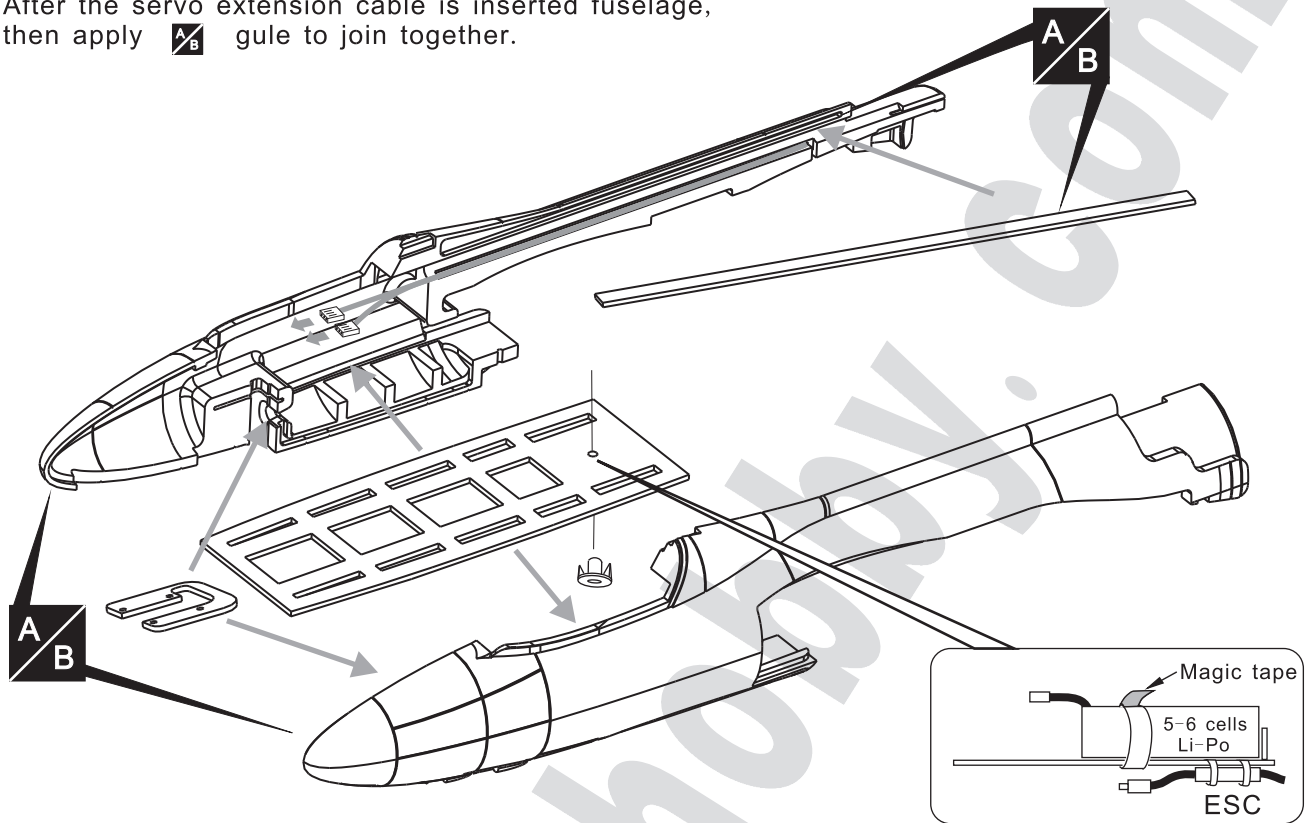
- Always keep this instruction manual ready on hand for quick reference.
- Assemble this kit only places out of children reach.
- First-time builders of EDF model should seek the advice of experienced modellers before beginning assembly and if they do not fully understand any parts of the construction.
- Taking out liability insurance is recommended.
- You are responsible for this model's assembly and safe operation.

You need to purchase the following accessories separately to complete the model.


<p>1. Signal cable (Throttle)</p>  <p>800mm</p> <p>1 pc required</p>	<p>5. 60A Electric Speed Control (ESC) w/BEC</p>  <p>60A W/BEC</p> <p>1 pc required</p>
<p>2. Signal cable (Elevator)</p>  <p>800mm</p> <p>2 pc required</p>	<p>6. B36 Brushless Motor, 1600-1800kv, Shaft dia 5mm</p>  <p>1 pc required</p>
<p>3. Signal cable (Aileron)</p>  <p>800mm</p> <p>2 pc required</p>	<p>7. Micro servo, 9g, torque > 1.2kg</p>  <p>5 pcs required</p>
<p>4. Silicone Battery cable (No. 12AWG or 14AWG)</p>  <p>800mm</p> <p>1 pc required</p>	<p>8. Li-Po Battery, 5-cells (18.5v), 3200mAh, 20C</p>  <p>Li-Po</p> <p>1 pc required</p>

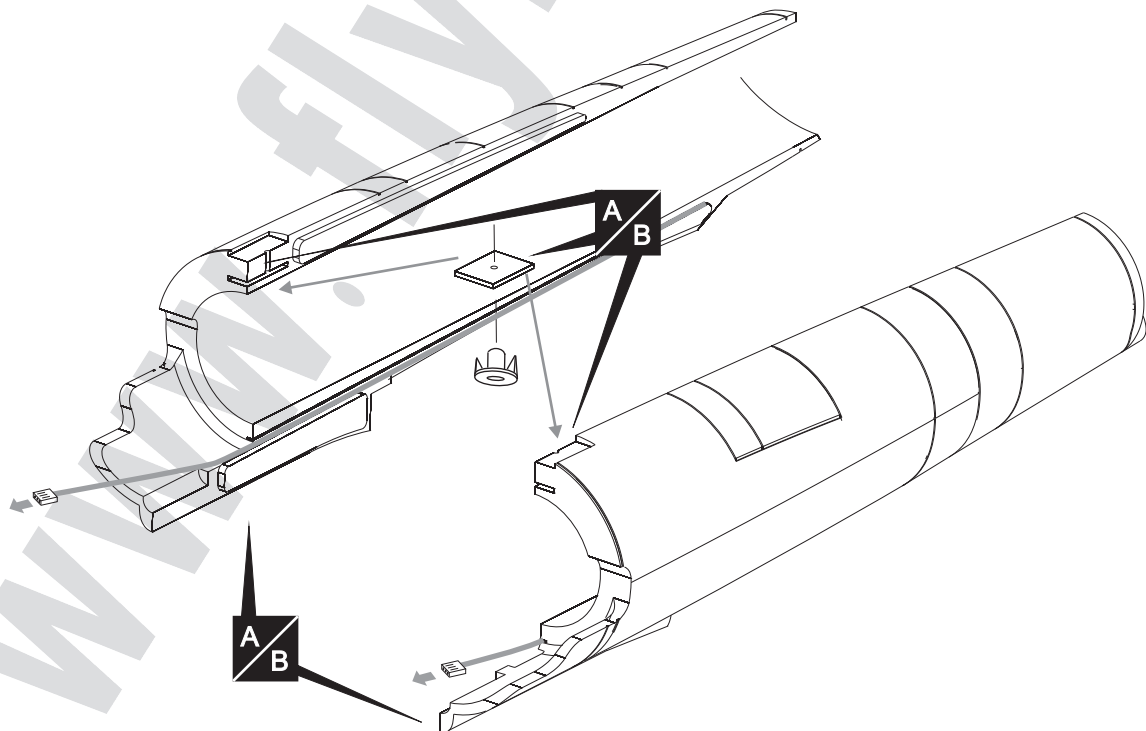
1 Fuselage

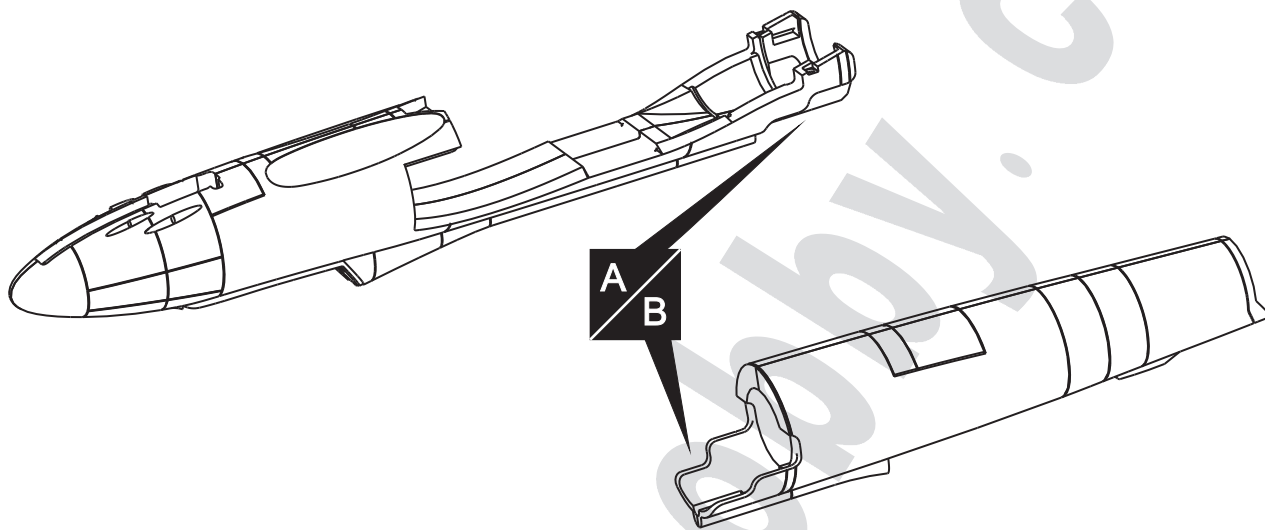
After the servo extension cable is inserted fuselage, then apply  gule to join together.



2 Fuselage

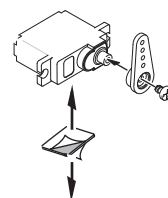
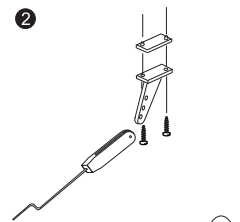
After the servo extension cable is inserted fuselage, then apply  gule to join together.



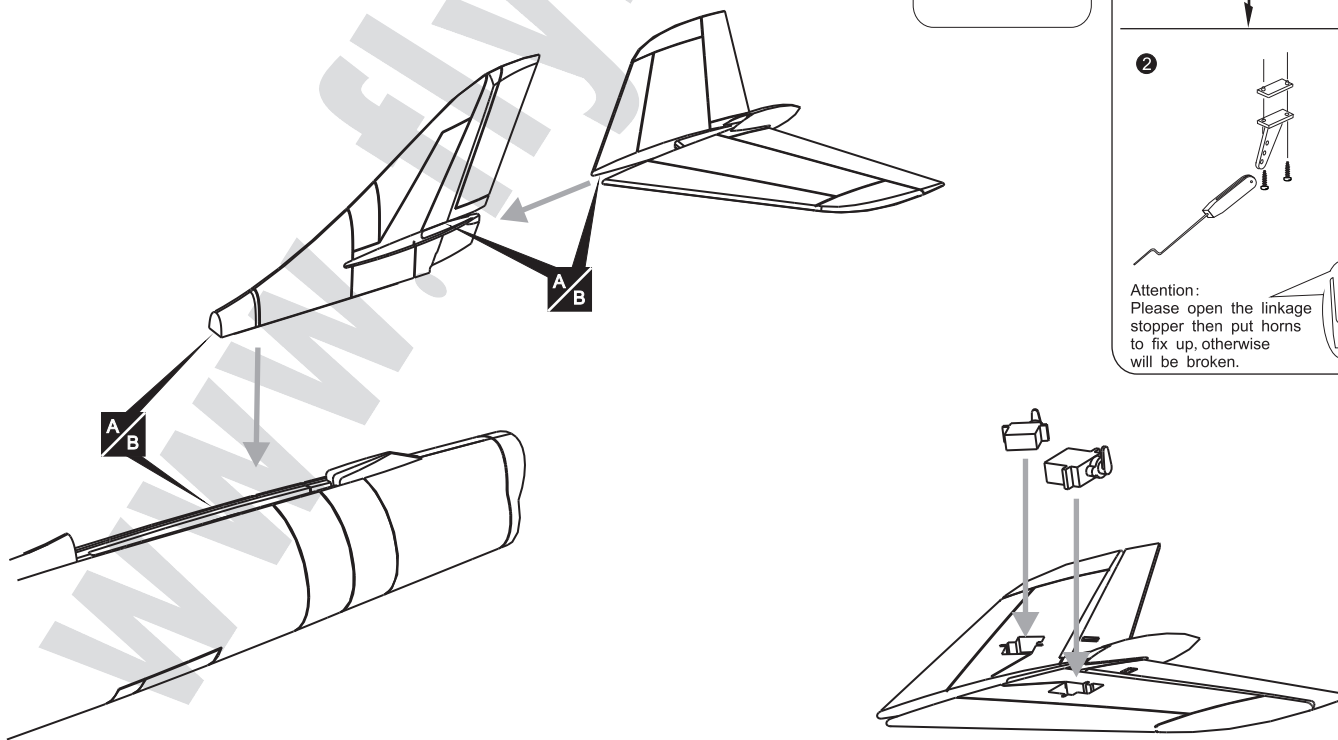
3**Fuselage****4****Fin**

The steel wire on the stop linkage needs to be cut the length. Please confirmed the length in needed. Then DIY "Z" shape as show in diagram ②.

Steel wire

**1****2**

Attention:
Please open the linkage
stopper then put horns
to fix up, otherwise
will be broken.

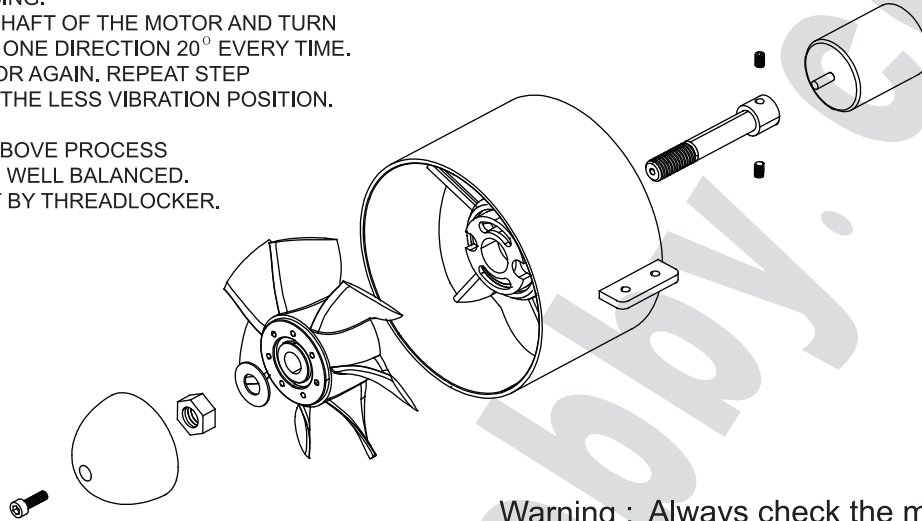


5 Ducted fan unit

PRECAUTIONS : BALANCING OF THE ROTOR.

- (1) PLEASE WELL BALANCE THE ROTOR WHILE MOUNTING THE MOTOR. ANY UNBALANCED ROTOR WILL EXPLODE AND DAMAGE TO THE HOUSING IN THE HIGH RPM ROTATION.
- (2) CONNECT THE POWER AND RUN THE ROTOR IN LOW RPM.
- (3) HOLD THE FAN BY HAND AND FEEL THE VIBRATION OF THE FAN HOUSING.
- (4) HOLDING THE SHAFT OF THE MOTOR AND TURN THE ROTOR IN ONE DIRECTION 20° EVERY TIME.
- (5) RUN THE ROTOR AGAIN. REPEAT STEP (3)-(4) TO FIND THE LESS VIBRATION POSITION.

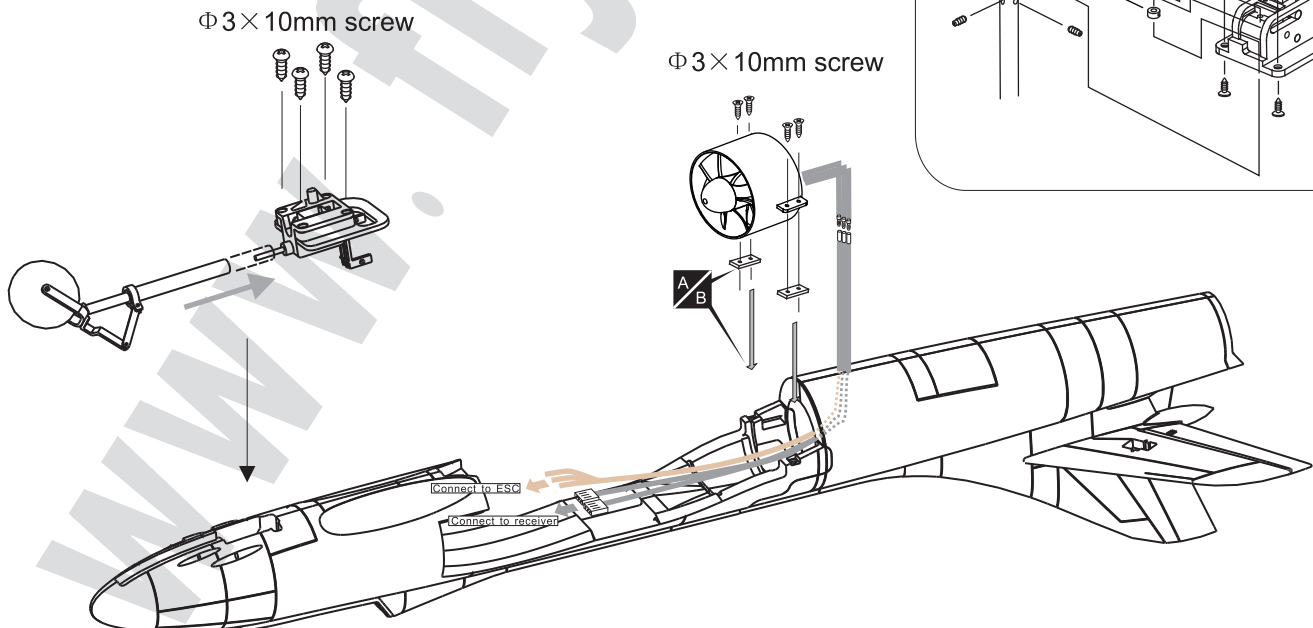
COMPLETE THE ABOVE PROCESS AND YOUR FAN IS WELL BALANCED. SECURE THE NUT BY THREADLOCKER.



Warning : Always check the motor and fan unit assembly every 5 flights at least. The screws may loose by the vibration in flight.



6 Ducted fan unit

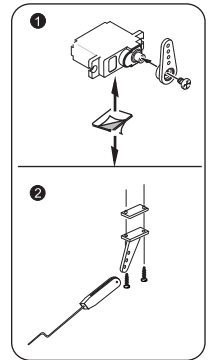
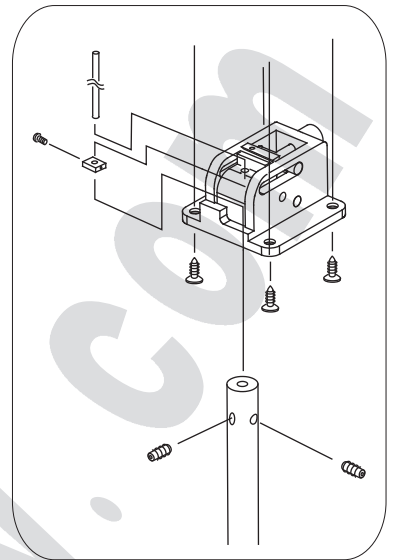
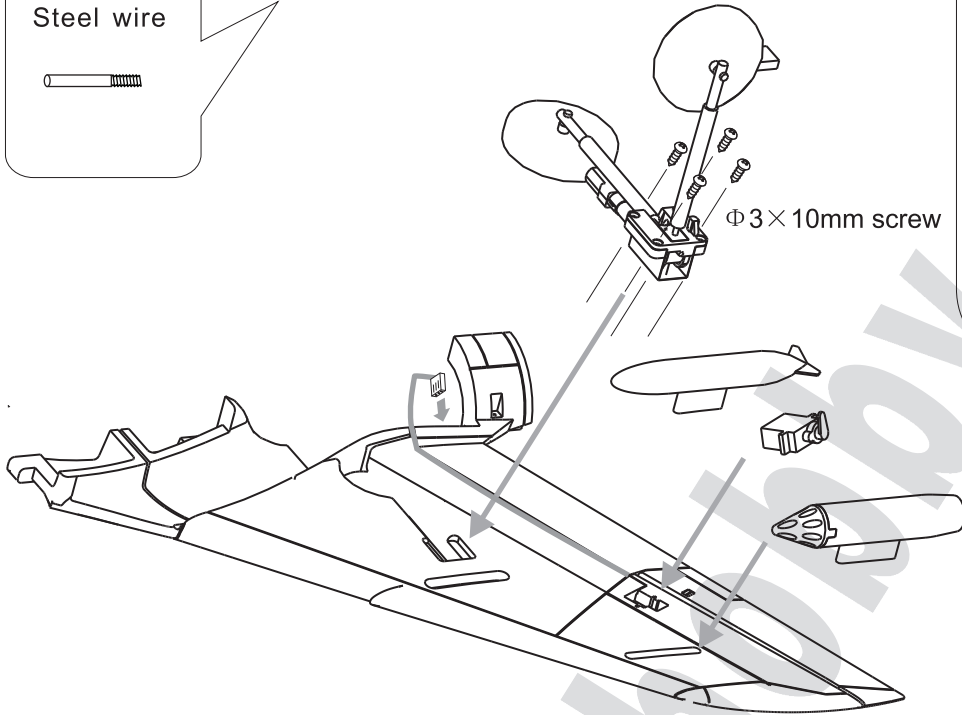


7

Wing

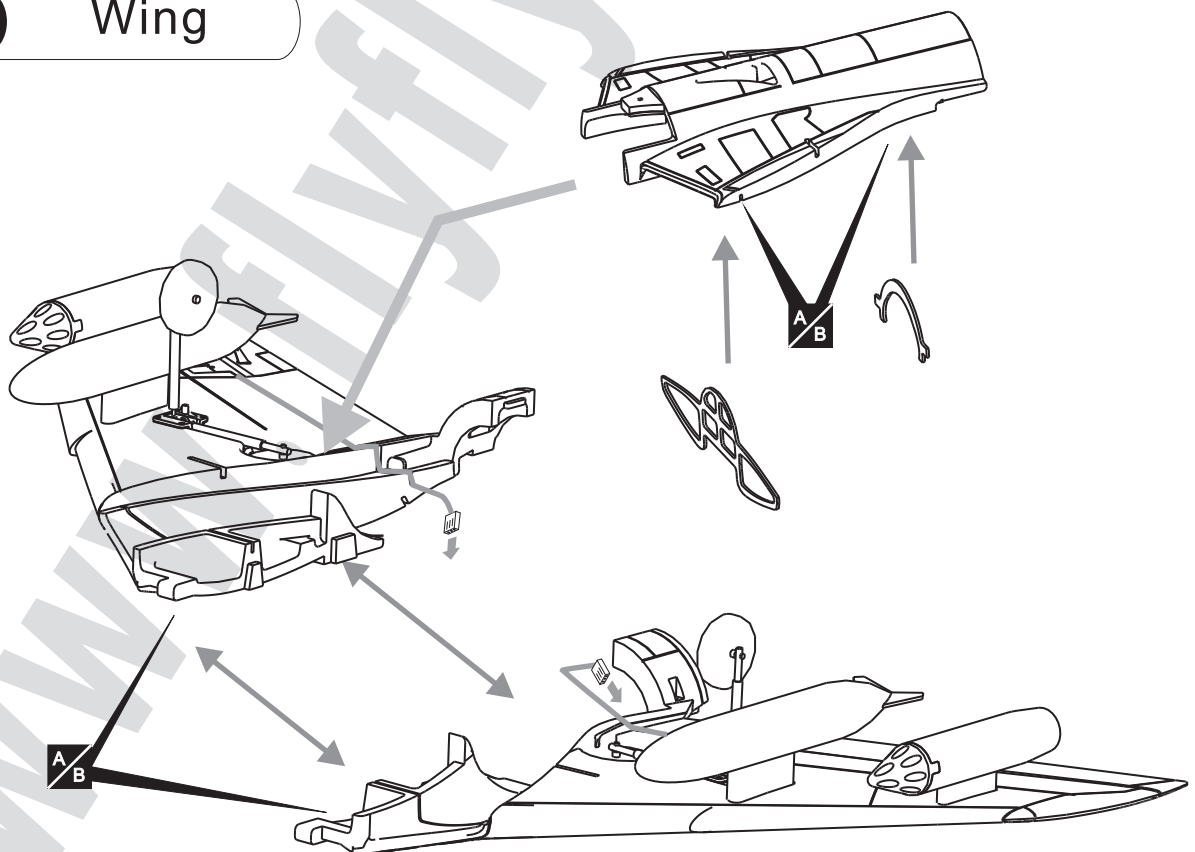
The steel wire on the stop linkage needs to be cut the length. Please confirmed the length in needed. Then DIY "Z" shape as show in diagram ② .

Steel wire

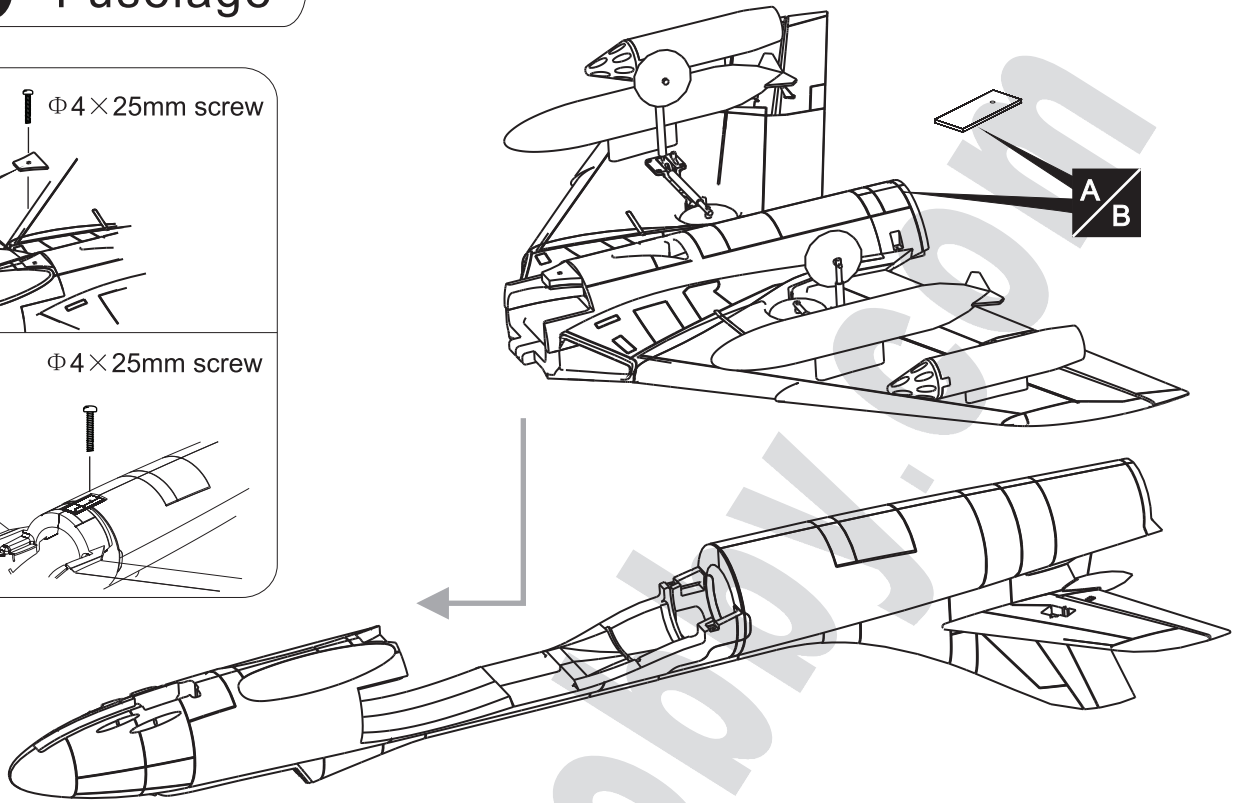
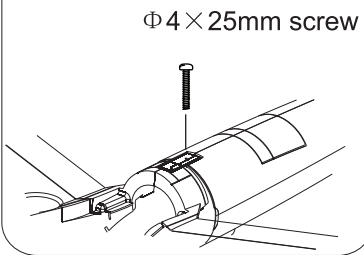
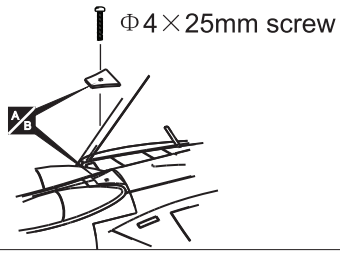


8

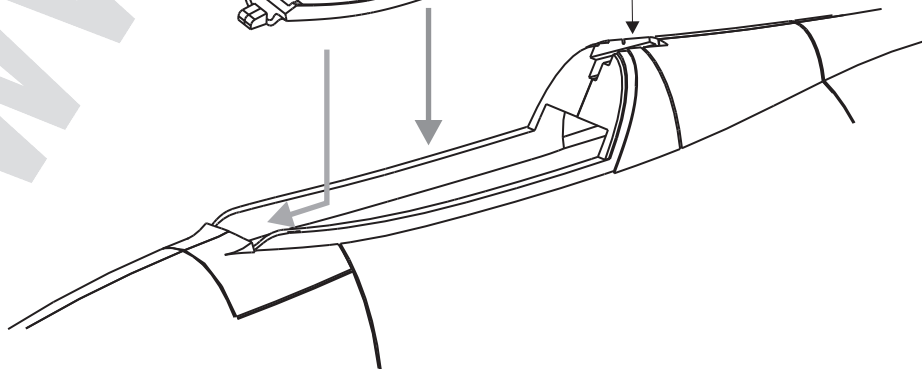
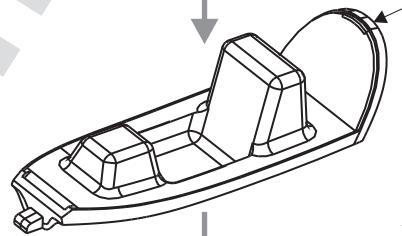
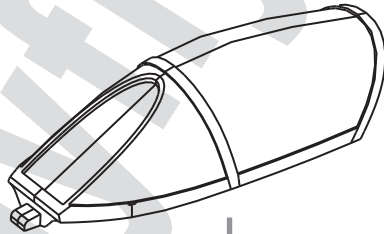
Wing



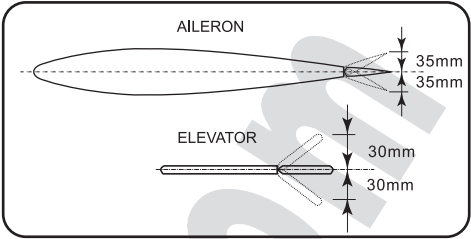
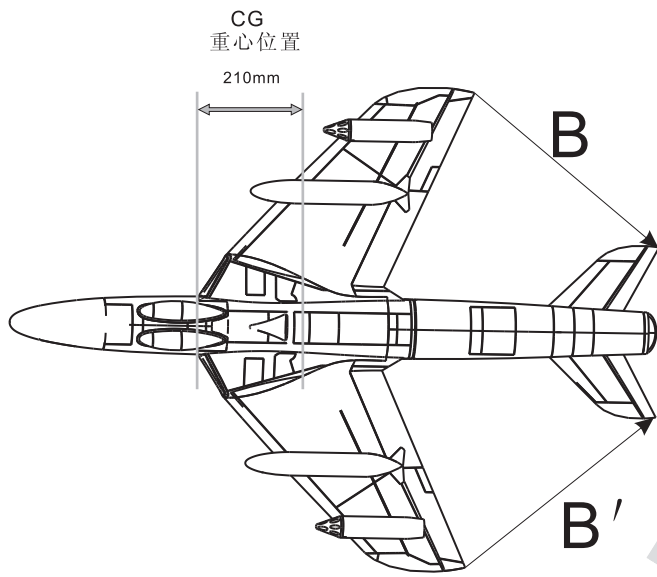
9 Fuselage



10 Canopy

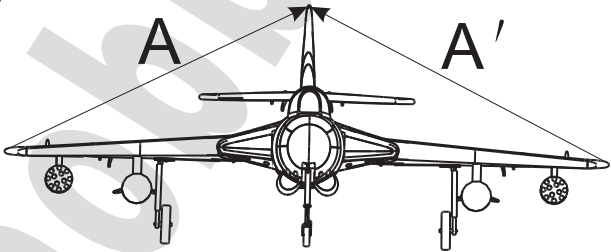


11 Adjustment



$$A = A'$$

$$B = B'$$



Never fly the model without well balancing.

12 Decal

